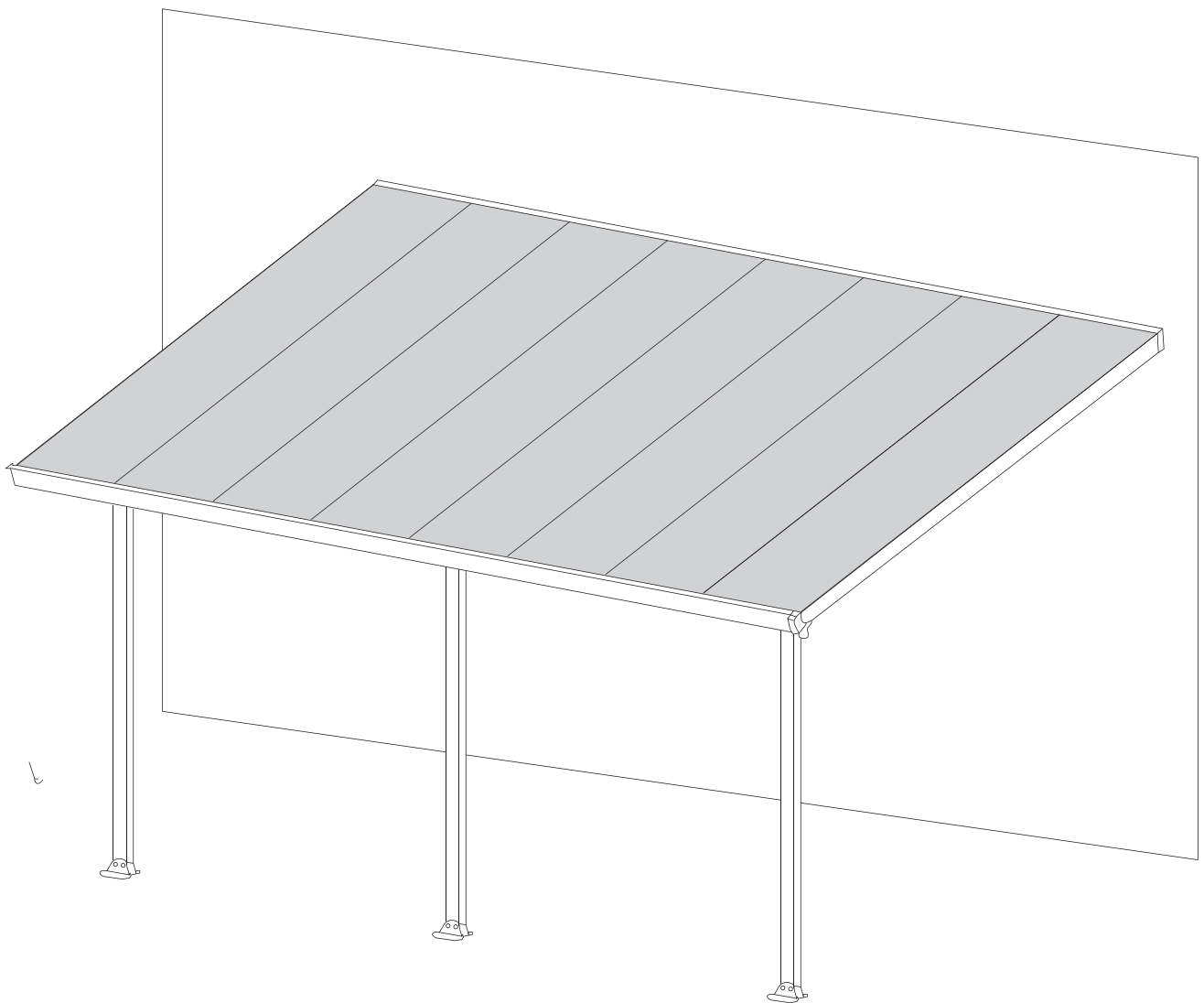


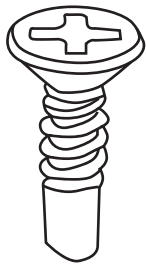
ASSEMBLY INSTRUCTION

3x4.88m / 10x16 Ft - Patio Cover

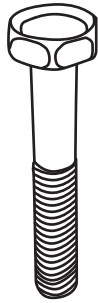


Preparation:

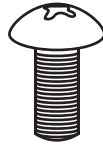
1. Find a flat solid base
2. Clean each spare part
3. Keep kids away
4. Two person require



x 15PCS



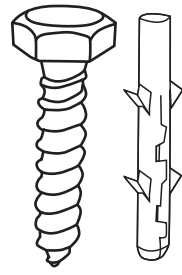
x 12PCS



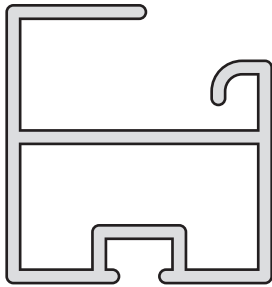
x 20PCS



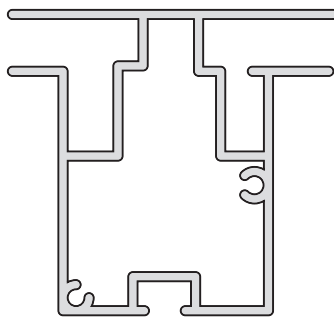
x 40PCS



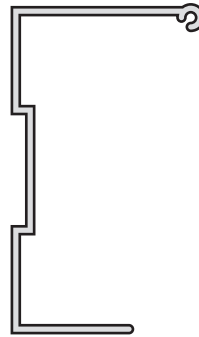
x 20PCS



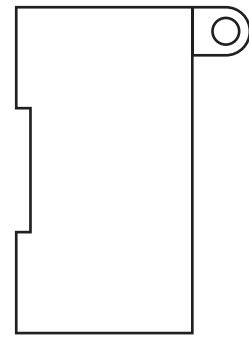
x 2PCS



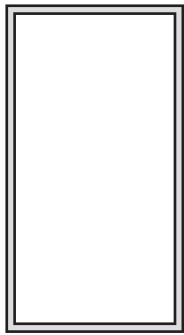
x 7PCS



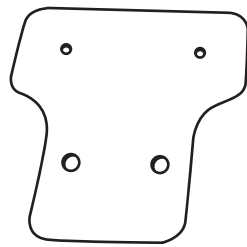
x 2PCS



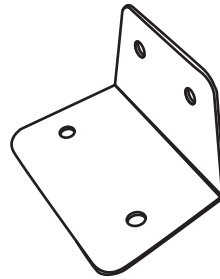
x 2PCS



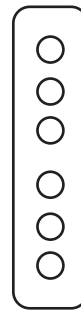
x 3PCS



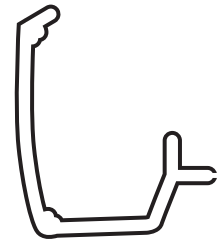
x 6PCS



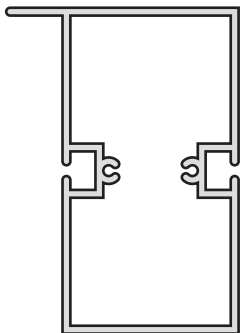
x 6PCS



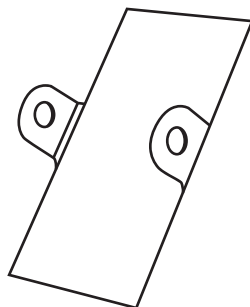
x 3PCS



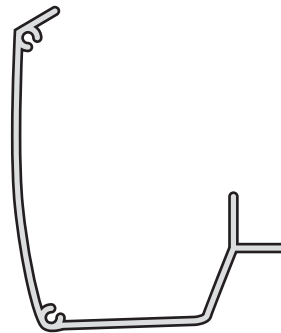
x 1PCS



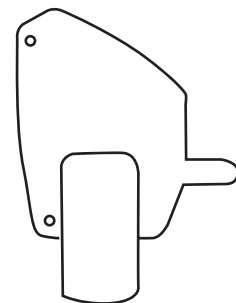
x 2PCS



x 2PCS

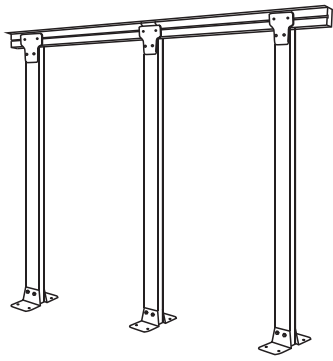


x 2PCS

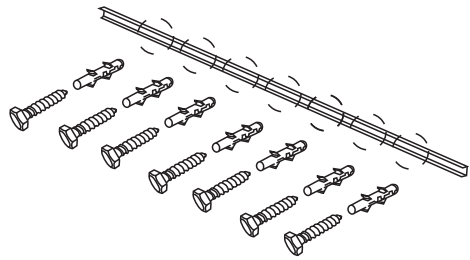


x 2PCS

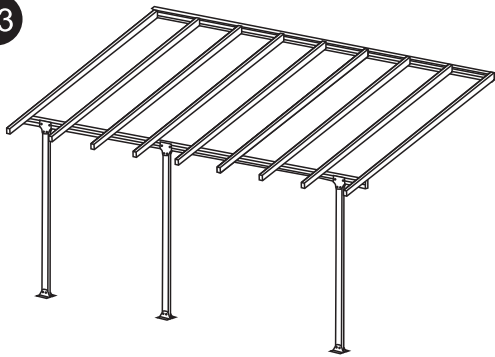
01



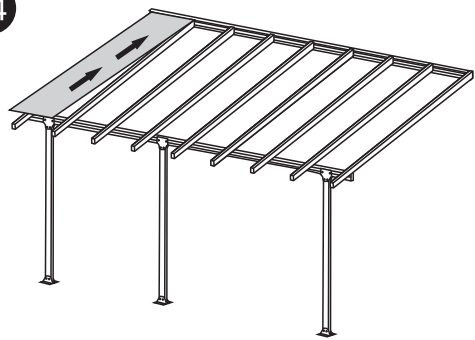
02



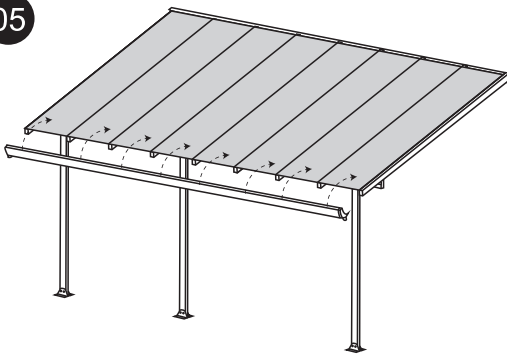
03



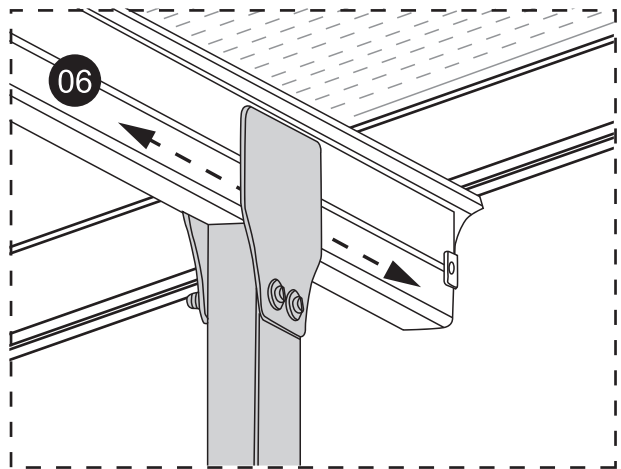
04



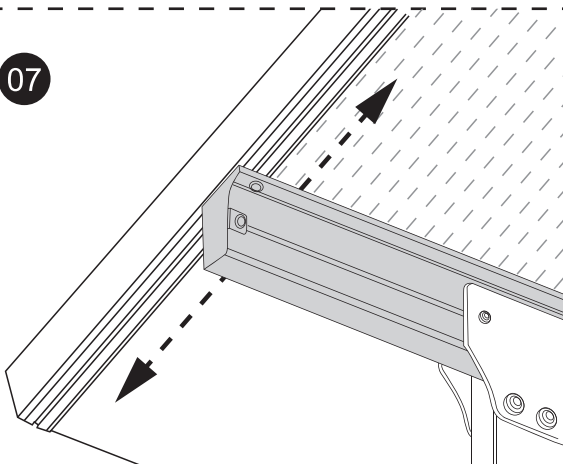
05



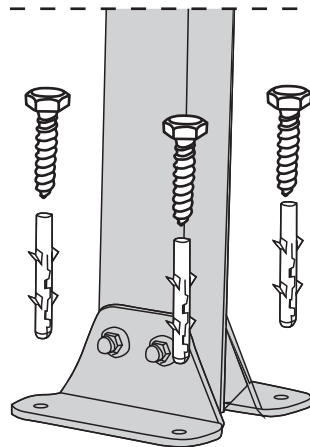
06

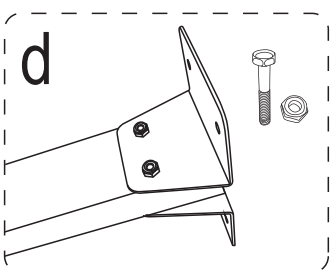
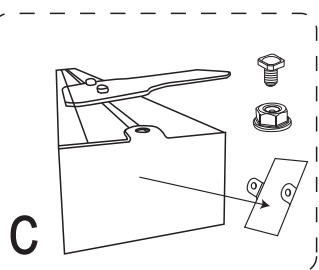
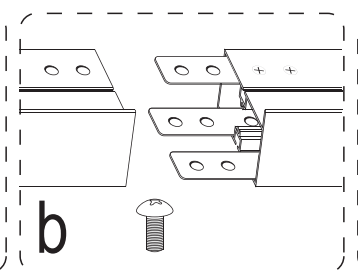
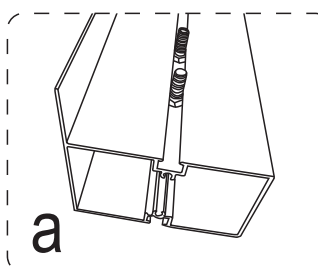
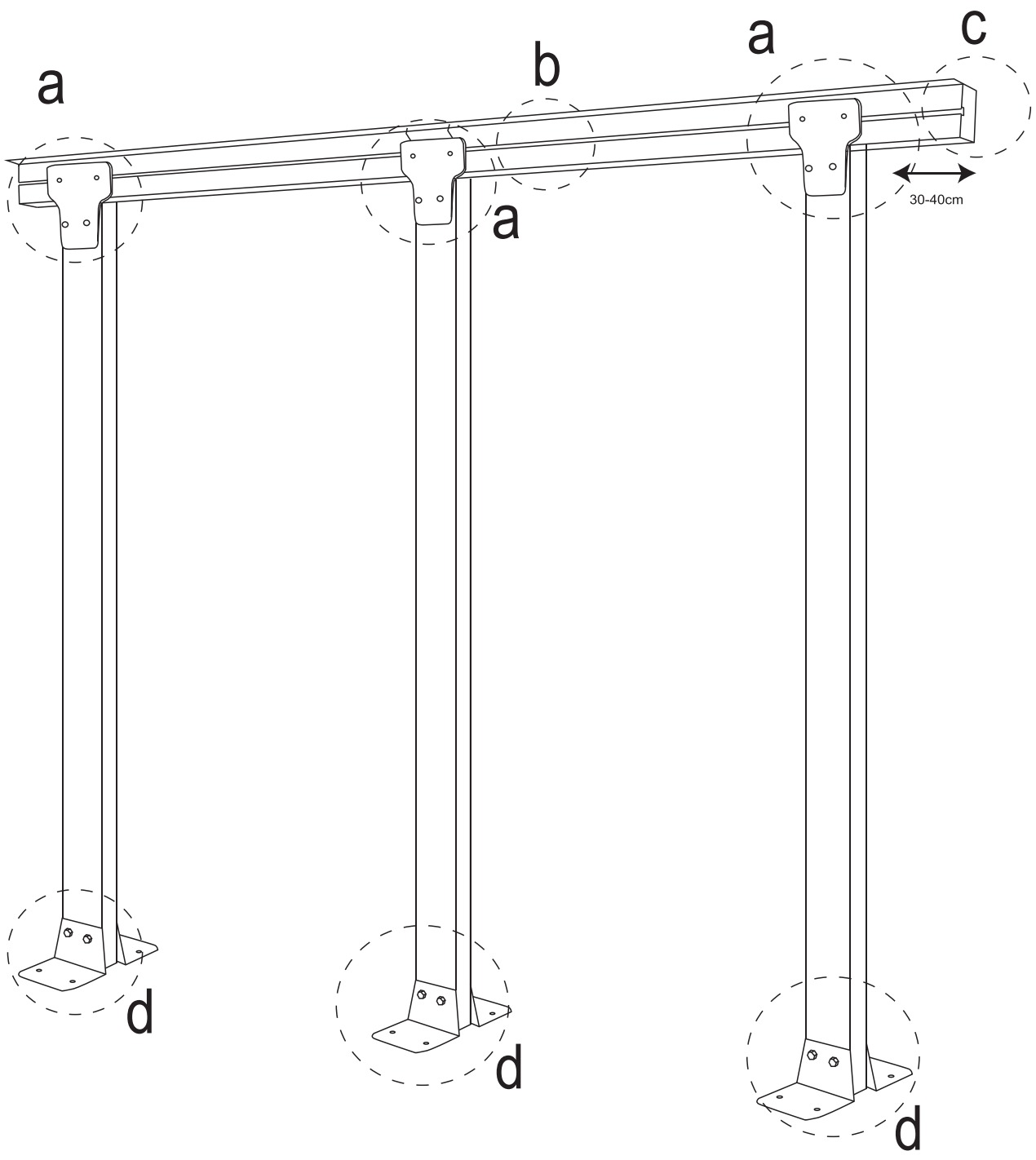


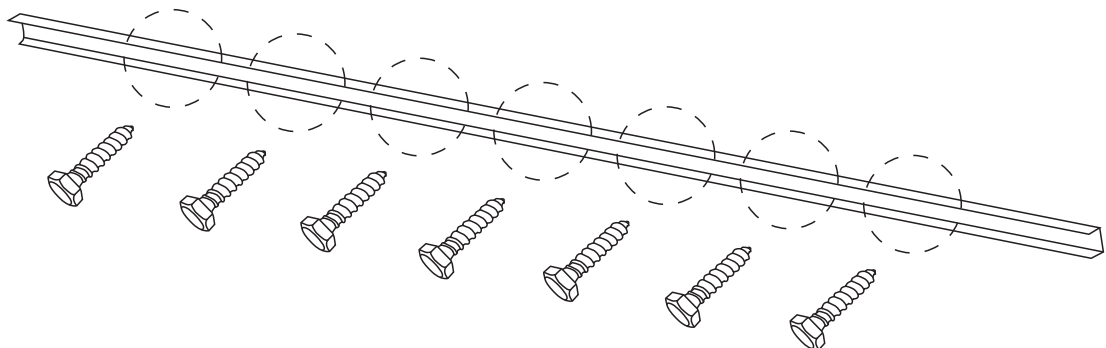
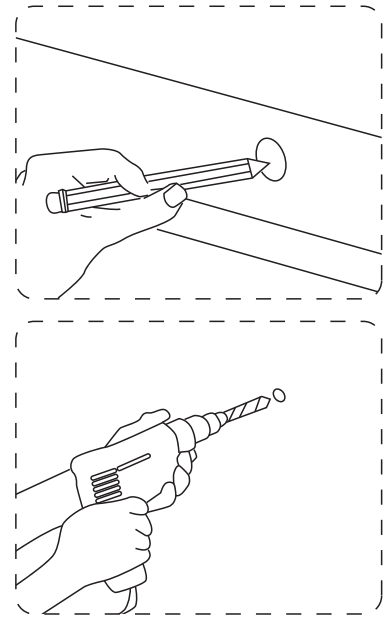
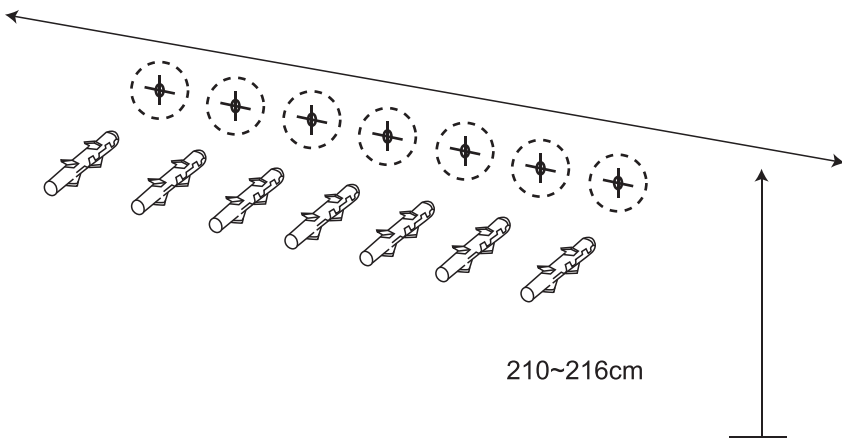
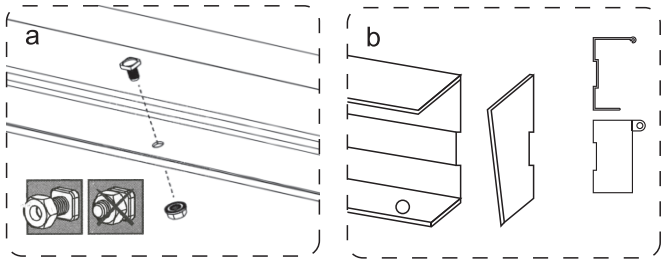
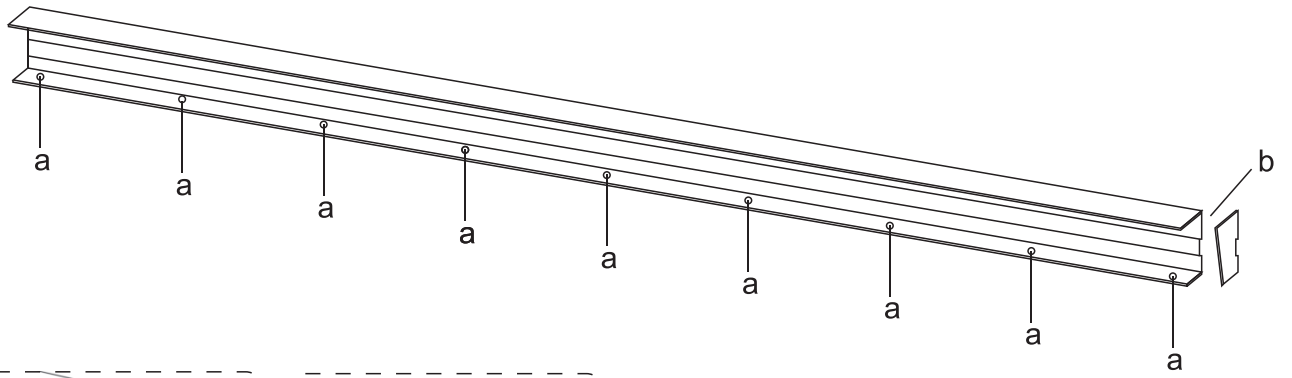
07

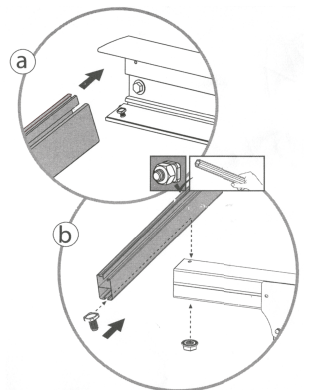
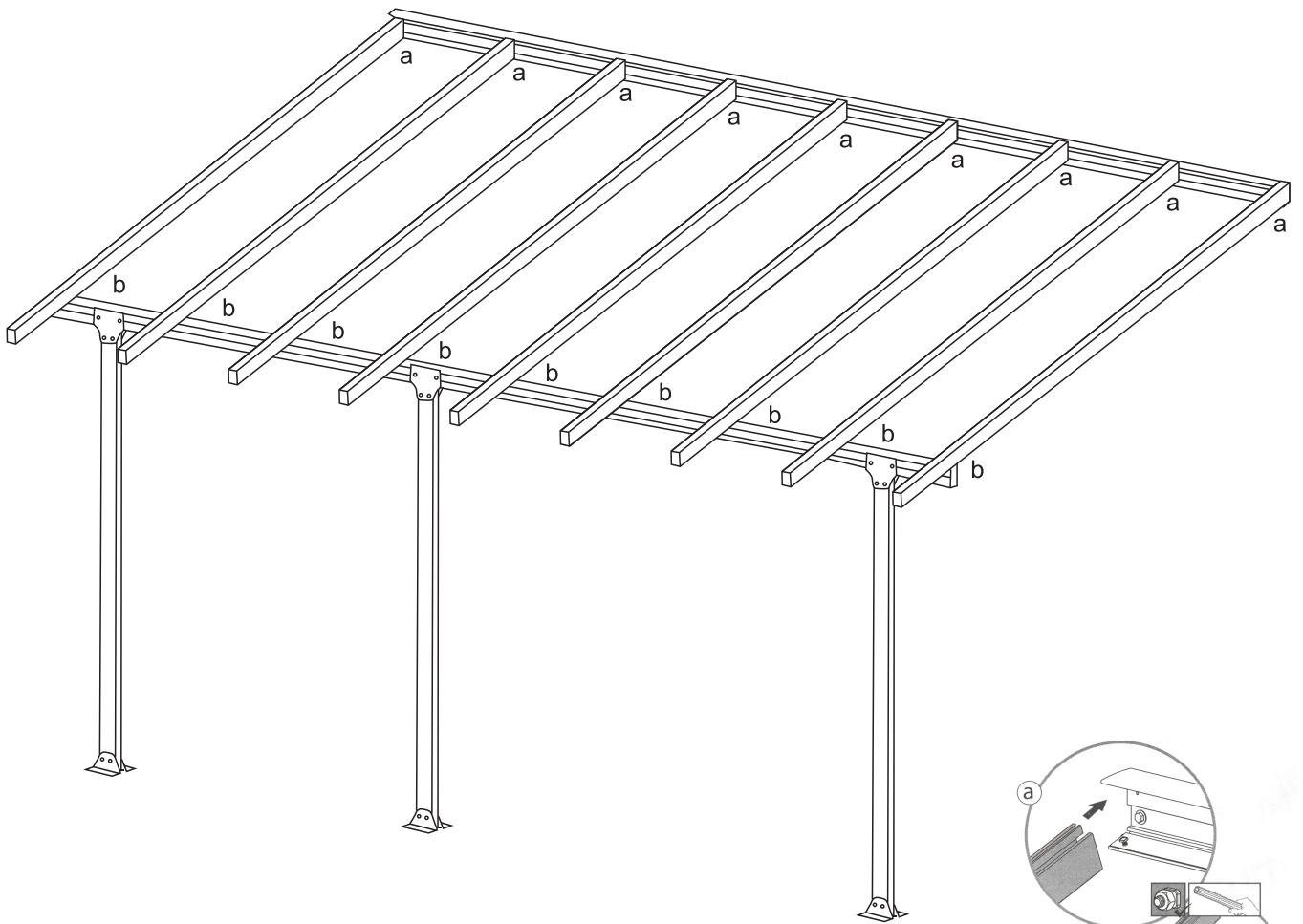
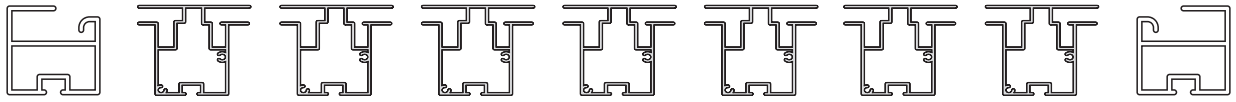


08









x 8PCS

